

▶ Clamp Gapless Valve

Principle

Clamp gapless valve is composed of valve seat, valve liner, gate, support and driving device. Two valve seats make valve liner closely match under the action of assembly pre-tightening force, forming a docking short pipe. When the valve is closed, the gate will wedge between the two seat covers to cut the fluid, and closely match with the valve by the excellent elasticity of Xinhai wear-resistant rubber valve liner to ensure the seal.

Features

The product has features of compact structure, small volume, light weight, convenient operation and maintenance, and is suitable for the occasions with particles or serious abrasion of sediment. According to different pressure and corrosive state, the material of gate includes stainless steel, ultra-high molecular weight polyethylene and the mixture between them. The injection nozzle set on the valve body can reduce the gate friction and the valve open-close torque.

The valve can be replaced with Xinhai rubber molded parts. Manual operation is generally used for Xinhai brake valve products, according to the requirements of the users, power-driven and gas-driven operation can also be used. It can not only be made on site but also be controlled remotely. Structure length and flange size can be determined usually according to national standards, and can be also according to users' requirements.

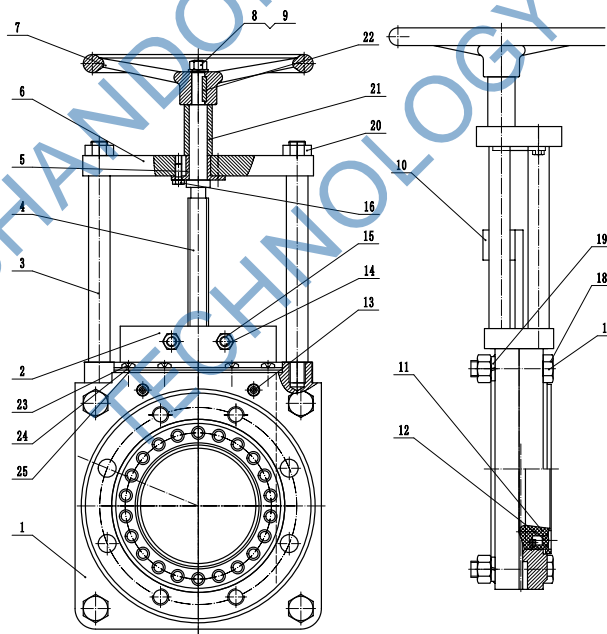
Application

Big open-close is used for clamp gapless valve, and is suitable for installing on hydrocyclones feeding, tailings pipelines or double circuit lines to be as an on-off. The suitable medium includes pulp, ash slurry, acid and base corrosive mediums.

Technical Parameters

Diameter Range: DN50-300 mm.

Working Pressure: 0.6 MPa, 1.0 MPa, 1.6 MPa.



■ Structure Drawing of Clamp Gapless Valve

- Notes:
- | | |
|---------------------------------|--------------------------|
| 1. Splint | 2. Flashboard |
| 3. Support plate | 4. Lead screw |
| 5. Sheath | 6. Bracing piece |
| 7. Hand wheel | 8. Hexagon nut |
| 9. Flat washer | 10. Nut |
| 11. Rubber seal | 11. Rubber seal plug |
| 13. Oil cup | 14. Nut |
| 15. Bolt | 16. Screw |
| 17. Bolt | 18. Nut |
| 19. Spring washer | 20. Nut |
| 21. Compass tube | 22. Key |
| 23. Cross recess pan head screw | 24. Sealing gasket clamp |
| 25. Sealing gasket | |